



RP600

Emulsified Asphalt Synchronous Spreading Paver

乳化沥青同步洒布摊铺机

RP600 spreader paver has symmetrical structure and elongated crawler, displaying more stable performance during traveling and operation. Hydraulic telescopic screed with electric control hydraulic crown adjustment, electric heating technology, is easy to use; High level of automation, with independent intellectual property rights of the core control technology and Touch spray control technology, can achieve automatic adjustment of spreading amount with the paving width and paving speed, as well as the stop and start of the spreading function; Auger and conveyor system, leveling system are equipped with imported high quality sensors, reliable and durable. Through practice test, this product has excellent working quality, especially suitable for the construction and maintenance of high-grade asphalt pavement.

RP600洒布摊铺机采用对称型结构、加长型履带，行驶、作业中姿态更平稳；配置液压伸缩式熨平板，并采用电控液压调拱、电加热技术，使用方便灵活；自动化水平高，拥有自主知识产权的核心控制技术和触摸式喷洒控制技术，可实现喷洒量随摊铺宽度、摊铺速度自动调节，具有喷洒接缝的停止、起步一键齐缝功能；输分料、找平系统均配置进口高品质传感器，可靠耐用。经实践检验，该产品拥有优秀的作业质量，特别适合于高等级沥青路面的建设和养护施工。

Performance Characteristics / 性能特点

- Water-cooled turbocharged engine in compliance with China III emission standards, powerful, sufficient power reserve, mature and reliable.
- Equipped with a four-in-one composite radiator and a large diameter powerful fan driven by a silicon oil clutch, it automatically matches the cooling air volume. The technology of centralized heat dissipation and storehouse diversion ensures continuous operation for a long time at the high temperature of 45 C.
- The crawler drive device has a large grounding area, and adopts independent driving and constant speed automatic control technology to ensure smooth and reliable driving.
- Use four sets of independent full hydraulic drive conveying and dividing system, conveying material level is controlled by contact type paddle, spreading material level uses non-contact ultrasonic sensor control, to realize the proportional variable speed regulation, ensuring homogeneous feeding without any impact.
- Integrated control console, centralized control of spreading and paving functions, dual screen display, working status is clearly displayed, touch screen control, intuitive and simple.
- Imported non-contact leveling instrument and non-contact ultrasonic balance beam, easy to use, realize high leveling accuracy.
- Single tamper hydraulic screed, vibrating beam and track shoes uses electric heating, with electric controlled hydraulic crown adjustment, flexible and easy for operation.
- Pulse spreading system, simultaneous spreading of emulsified asphalt and mixture, with high construction efficiency and good operation quality.
- 配置符合国III排放标准的水冷增压发动机，动力强劲、储备充足，技术成熟可靠。
- 配置四合一复合散热器和通过硅油离合器驱动的大直径强力风扇，自动匹配散热风量。通过集中散热、分仓导流技术，可保证在环境温度45℃的高温下长时间连续工作。
- 履带驱动装置接地面积大，采用左右独立驱动及恒速自动控制技术，使行驶平稳可靠。
- 输分料采用四套独立的全液压驱动，输料料位由接触式料拍控制，分料料位由非接触超声波传感器控制，全部采用电比例无级调速，供料均匀，无冲击。
- 一体化操纵台，喷洒、摊铺功能集中操控，双屏显示，工作状态一目了然，喷洒控制采用触摸屏操作，直观、简单。
- 自动找平采用进口非接触式找平仪，并可配置非接触式超声波平衡梁，使用方便，找平精度高。
- 配置单振幅液压伸缩熨平板，振捣梁、底板采用电加热，配备电控液压调拱，使用灵活，操作方便。
- 配置脉冲式喷洒系统，可实现乳化沥青洒布和混合料摊铺同步作业，施工效率高、作业质量好。

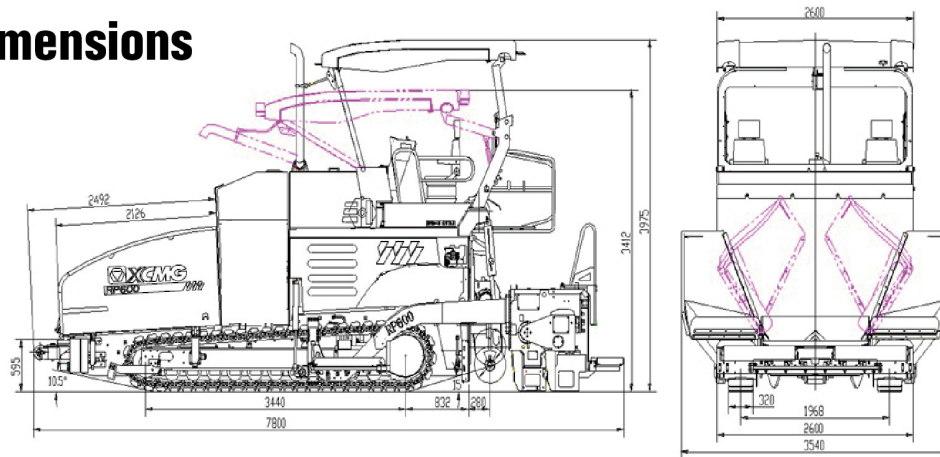
RP600

Emulsified Asphalt Synchronous Spreading Paver

乳化沥青同步洒布摊铺机

Main Dimensions

主要尺寸



Main Specifications

主要技术参数

Item	项目	单位 Unit	RP600
Basic paving width	基本摊铺宽度	m	3.0
Max. paving width	最大摊铺宽度	m	6
Max. paving thickness	最大摊铺厚度	mm	350
Working speed	工作速度	m/min	0~20
Travel speed	行驶速度	km/h	0~3.3
Theoretical productivity	理论生产率	t/h	800
Hopper capacity	料斗容量	t	13
Gradeability	爬坡能力	%	20
Evenness	平整度	mm/3m	2
Slope tolerance	横坡误差	%	±0.02
Crown adjustment range	拱度调节范围	%	-1~+4
Diesel engine type	柴油机型号	/	BF6M1013-22T3R/3
Diesel engine power	柴油机功率	kW	159
Diesel engine speed	柴油机转速	r/min	2000
Heating generator power	加热发电机功率	kW	28
Total weight	整机重量	t	27.5~28.3
Overall dimension	外形尺寸	mm	7800×3000×3985
Spreading speed	分料转速	r/min	0~90
Conveying speed	输料速度	m/min	0~20
Tamper speed	振捣转速	r/min	0~1800
Tamper amplitude	振捣振幅	mm	4
Vibrational frequency	振动频率	Hz	0~60
Screed heating mode	熨平板加热方式	/	电加热 Electrical heating
Material level control type of conveyor	输料料位控制方式	/	接触式料拍自动控制 Contact-type paddle automatic control
Material level control type of auger	分料料位控制方式	/	超声波传感自动控制 Automatic ultrasonic sensing control
Vibration type	振动形式	/	偏心振动 Eccentric vibration
Automatic leveling control	自动找平控制方式	/	进口数字式超声波找平仪 Imported digital ultrasonic wave leveling instrument
Spray amount	喷洒量	kg/m ²	0.2~1.6
Volume of asphalt tank	沥青罐容积	L	2200
Nozzles number	喷嘴数量	个	24



Machmall.com is an electromechanical product platform officially launched by XCMG, aiming to provide global customers with a complete set of high-quality construction machinery solutions and supporting equipment.


Xuzhou Construction Machinery Group Co., Ltd. (XCMG Group), founded in 1943, is the fourth largest worldwide construction machinery manufacturer and the largest in China with products covering 183 countries and regions.

XCMG have 12 complete solutions:Crane lifting,Mining Construction,Earth-moving Solutions,Road Machinery,Concrete Equipment,Tunnel and Underground Space Construction,Mobile Elevating Work Platform (MEWP),Piling and Non-excavation Equipment,Transportation Equipment, Environmental Sanitation Equipment,Firefighting,Safety and Emergency Rescue



 <https://www.machmall.com/>

 machmall@xcmg.com

 008618652183963
86-516 8773 9797